



Ravaglioli

COMPANY WITH
QUALITY SYSTEM
CERTIFIED BY DNV GL
= ISO 9001 =

AUTOMATIC TIRE CHANGER

G5440.22 (380V/3ph/50Hz)

G5440.22U (220V/1ph/50Hz)

Automatic tyre changer suitable for car and motorcycle wheels.

Maximum diameter 1000 mm / 39".

Maximum width 340 mm / 13".

FEATURES

- Tilting vertical arm
- Operating arm with pneumatic locking
- Air operated bead beaker
- Oversized body
- Extractable pedal unit



G

5440.22

5440I.22

5140.22

5140IH.22



G 5440I.22M (220V/1ph/50Hz)

G 5440I.22U (110V/1ph/60Hz)

Version with bead-seater (tubeless inflator).



G5440.22M + PLUS73 Helper



SWING ARM TIRE CHANGER



G5140.22



G5140I.22M (220V/1ph/50Hz)

Semi-automatic tyre changer suitable for car and motorcycle wheels.

Maximum diameter 1000 mm / 39".

Maximum width 340 mm / 13".

FEATURES

- Swing arm
- Operating arm manual locking
- Air operated bead beaker
- Oversized body
- Extractable pedal unit

G 5140IH.22M (220V/1ph/50Hz)

G 5140IH.22U (110V/1ph/60Hz)

Version with bead-seater (tubeless inflator).

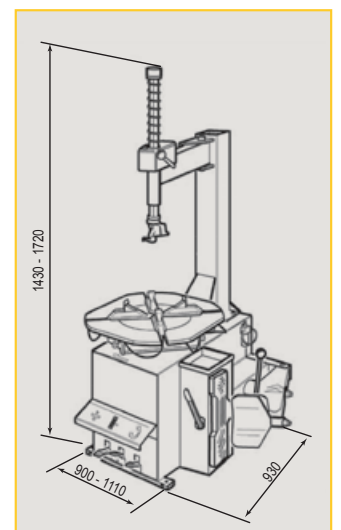
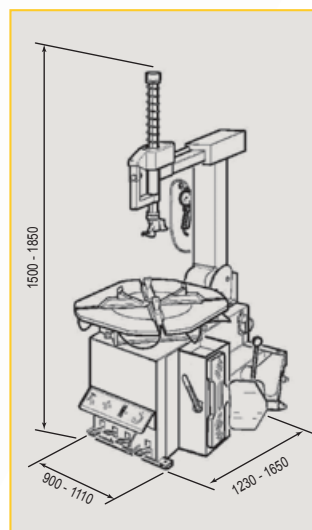
Higher column allows to work on larger tyres.

STANDARD

- Tire inflator
- Clamps protections (kit of 4)
- Tool protection
- Bead lever
- Brush



SPECIFICATION			
Inner clamping	12"-22"	13"-23"	14"-24"
Outer clamping	10"-20"	11"-21"	12"-22"
Max. wheel diameter	1000 mm (39")		
Max. wheel width	340 mm (13")		
Bead-breaker cylinder force at 10 bar	3000 kg		
Operating pressure	10 bar (140 psi)		
Motor power	0,55 Kw (3 phase) 0,75 Kw (1 phase)		
Max. inflating pressure	1200 Nm		
Recommended air supply	3,5 bar (50 psi)		
Packing dimension	970L x 760W x 940H mm		
Gross weight	233 kg (G5440) 213 kg (G5140)		



A DOVER COMPANY

Ravaglioli S.p.A.

via 1° maggio 3
 Fraz. Pontecchio M.
 40037 Sasso Marconi (Bo) - Italia
 Tel. +39 - 051 - 6781511
 Fax +39 - 051 - 846349
 rav@ravaglioli.com
 www.ravaglioli.com

RAV France

4, Rue Longue Raie
 ZAC de la Tremblaie
 91220 Le Plessis Pâté
 Tel. 01.60.86.88.16
 Fax 01.60.86.82.04
 rav@ravfrance.fr

Ravaglioli Deutschland

Kirchenpoint 22
 85354 Freising
 Tel. 08165-646956
 Fax 08165-646958
 ravid@ravaglioli.com

RAV Equipment UK LTD

Prince Albert House
 20 King Street
 Maidenhead, SL6 1DT
 Tel. +39 - 0516781522
 rav@ravaglioli.com

RAV en Belgique

Nederlandstalig
 Tel. 0498-162016
 Fax 016-781025
 Zone Francophone
 Tel. 0498-163016
 Fax +32 78 055 030

RAV Equipos España S.L.U.

Avenida Europa 17
 Pol. Ind. de Constanti
 Tarragona 43120
 Tel. 977 524525
 Fax 977 524532
 ravequipos@ravaglioli.e.telefonica.net

DRN37U (2)

